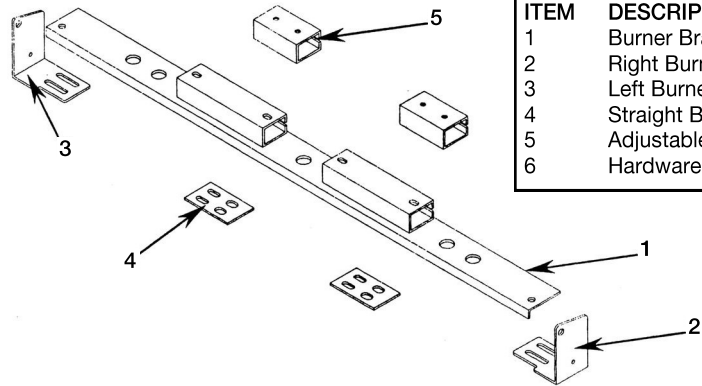


INSTALLATION INSTRUCTIONS - UNIVERSAL BURNER BRACE - Part # CBBR4

WARNING: Failure to follow all manufacturer's instructions could result in serious personal injury and/or property damage.

PARTS LIST

ITEM	DESCRIPTION	QTY
1	Burner Brace Assembly	1
2	Right Burner Extension	1
3	Left Burner Extension	1
4	Straight Brace Extension	2
5	Adjustable Carryover Tube	2
6	Hardware Bag	1

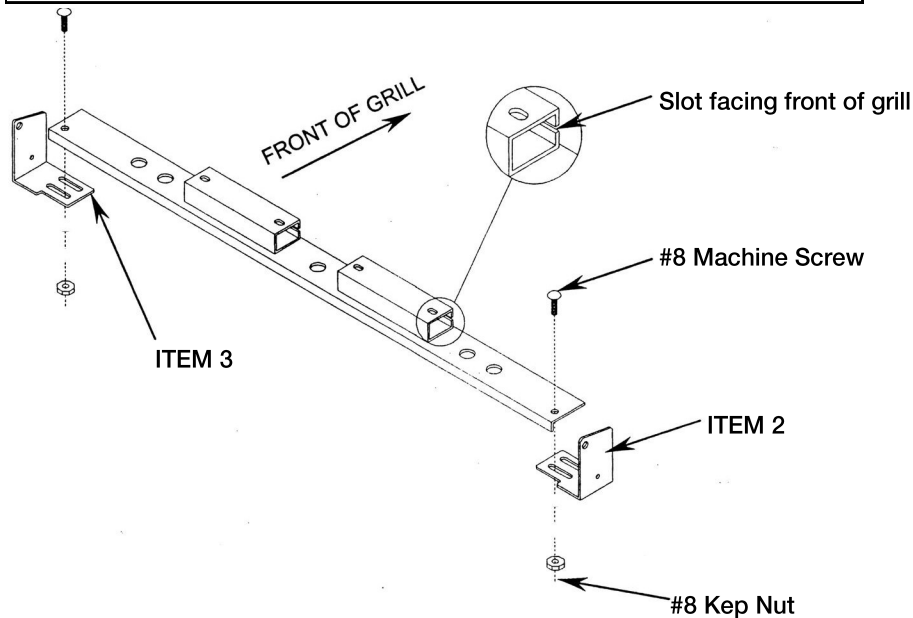


CAUTION: Grill must be completely cool before proceeding.

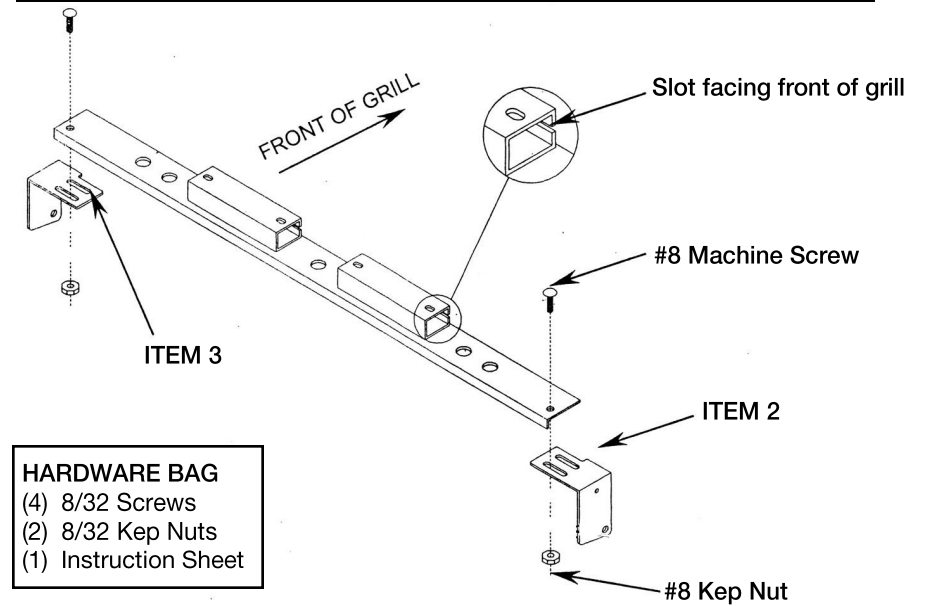
ASSEMBLY STEPS

1. Turn control knobs to OFF position.
2. Turn gas OFF at source.
3. Remove cooking grates and radiants.
4. Remove burners and existing burner brace.

OPTION A



OPTION B



HARDWARE BAG
 (4) 8/32 Screws
 (2) 8/32 Kep Nuts
 (1) Instruction Sheet

OPTION C

