

INSTALLATION INSTRUCTIONS - UNIVERSAL BURNER BRACE

ASSEMBLY STEPS (Cont'd)

6. For older grill models. If your grill uses the Outside Burner Mounting Hole, the Adjustable Carryover Tubes must be used.

7. Insert Adjustable Carryover Tubes in Stationary Carryover Tubes (Figure 1) and tighten with #8 Machine Screws (Figure 2).

FIGURE 1

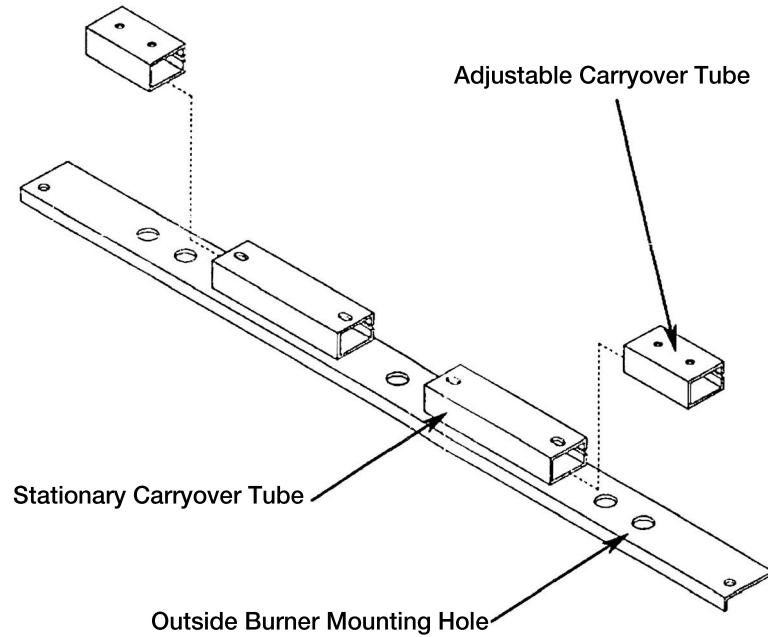


FIGURE 2

