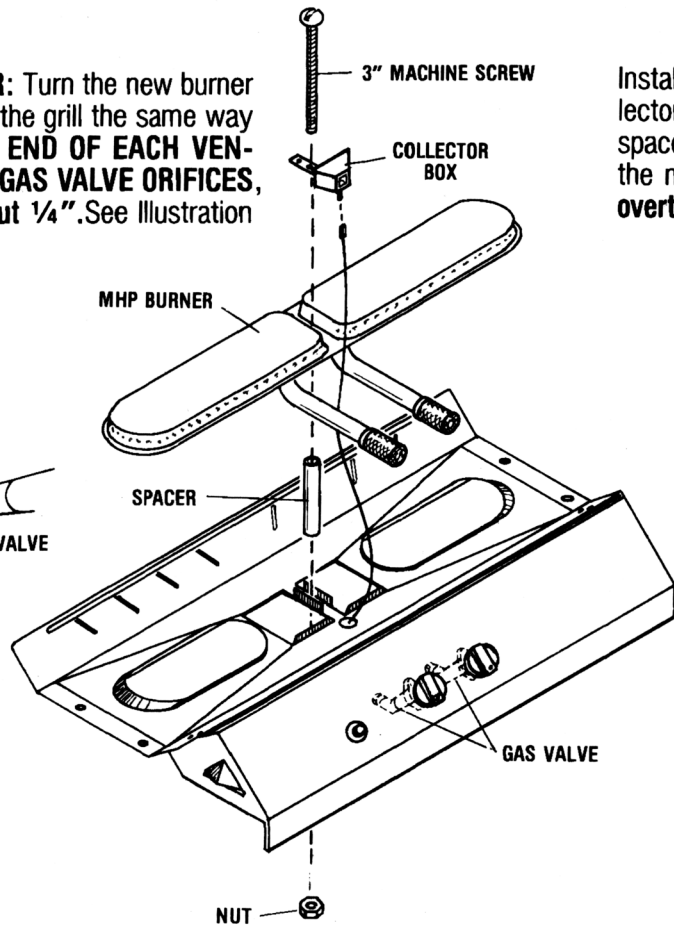
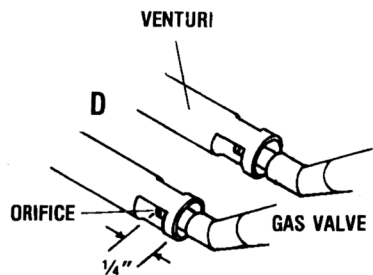


3. INSTALL NEW BURNER: Turn the new burner assembly over and fit it into the grill the same way the old one came out. **THE END OF EACH VENTURI MUST FIT OVER THE GAS VALVE ORIFICES, BUT NOT TOO FAR — about 1/4".** See Illustration D, below left.



Install the 3" long machine screw through the collector box mounting hole, through the burner and spacer and out the bottom of the burner pan. Put the mounting nut on and draw up **SNUG**, do not overtighten.

4. TURN ON THE GAS AND LIGHT THE BURNER. The flame should be mostly blue with little yellow tips. Some yellow "dust" flecks may occur in the flame.

Replace the rock grate, rocks, and cooking grids. *You're back in business!*

PARTS LIST

- 1 TBBC and TLBBC Burner
- 1 3 inch 10-24 Machine Screw
- 1 10-24 Nut