

MHP Modern Home Products

People That Pioneered Gas BBQ Grills

150 South Ram Road, Antioch, Illinois 60002

ASSEMBLY INSTRUCTIONS FOR LARGE & SMALL SINGLE BURNER*

NOTE: For most Char-Broil Bar-B-Ques, adjust legs as per figure C and use Venturi Tube 5 1/2" long.

This is a high quality stainless steel replacement Universal Burner* manufactured by Modern Home Products Corp. that can be adjusted to fit most of the following barbeque grills:

SEARS
CHARMGLOW
ARKLA
CHAR-BROIL & SIMILIAR SIZED BBQs

1. Locate and measure distance between burner support pads in casting, FIG. A.
2. Insert burner legs into leg brackets in burner. Adjust legs to A and B dimension as in step 1. Use large hole of burner as centering point. Lock in place with screws. Do not overtighten screws, FIG. B. NOTE: Some installations may require that the burner legs be mounted in leg brackets in reversed direction, FIG. C.
3. Assemble Venturi Tube to burner with gasket and screws, FIG. D.
4. Install burner in casting. Be sure to align air shutter of Venturi Tube over orifice of valve. NOTE: Be sure air shutter engages orifice of gas valve $\frac{1}{4}'' \pm \frac{1}{16}''$, FIG. E.
5. If you cannot achieve proper orifice engagement with burner resting in casting, it will be necessary to adjust air shutter length. Remove screw holding air shutter to Venturi Tube and reassemble in upper or lower screw hole location, FIG. F.
6. Light burner and adjust air shutter opening for best flame results.

*PATENT NO. 4,267,816

FIG. A

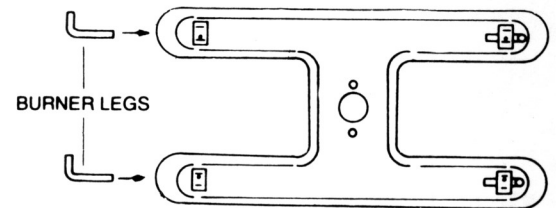
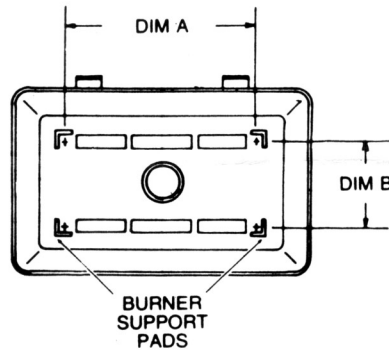


FIG. B

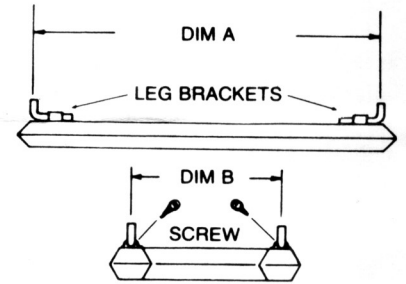
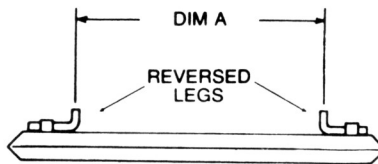


FIG. C



ATTENTION:
DO NOT OVERTIGHTEN LEG SCREWS
SLIGHT SNUGGING WILL DO.

FIG. E

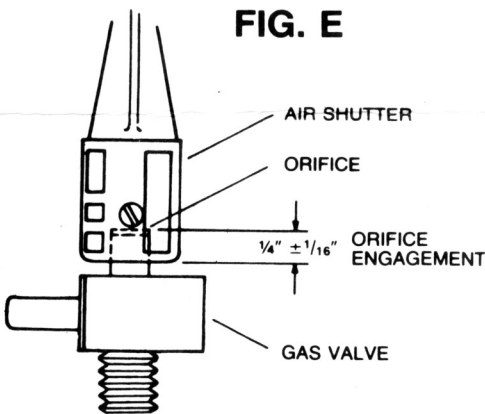


FIG. F

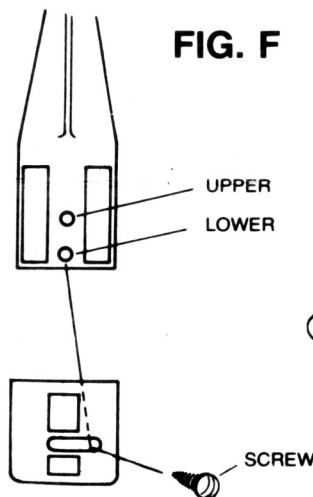


FIG. D

